

Conveyor

Model #RB60-1



SPECIFICATIONS

RB60-1

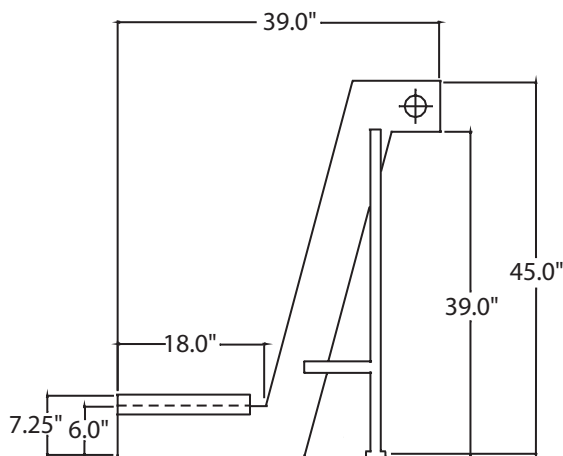
Load Height	7.25"
Horizontal Travel	18.0"
Incline	75°
Discharge Height	39.0"
Belt Width	8.0"
Belt Pitch	.75
Belt Flights	12.0" on center
Belt Speed	30 FPM
Motor	1/2 HP TEFC
Input Voltage	240/480V 3PH

Osborne conveyors are equipped with our exclusive "roller belt" conveying surface. The "roller belt" is made up of a series of small diameter, hardened and ground rollers. The round rollers minimize part sticking, while the heat-treated surface is extremely durable. Our "roller belt" is known for its extended service life.

Standard RB60 series conveyors have an 8.0" belt width and are available with an incline angle of 45°, 60° and 75°. Model #RB60-1 with a 75° incline angle is shown. For special configurations, belt widths and/or other optional equipment please consult the factory.

Optional Equipment:

- Manual Motor Starter
- Variable Speed Drive
- Inspection Bin
- Oil Pan
- Belt Covers
- Load and Discharge Chutes



Conveyor

Model #RB60-2

SPECIFICATIONS

RB60-2

Load Height	7.25"
Horizontal Travel	36.0"
Incline	75°
Discharge Height	39.0"
Belt Width	8.0"
Belt Pitch	.75
Belt Flights	12.0" on center
Belt Speed	30 FPM
Motor	3/4 HP TEFC
Input Voltage	240/480V 3PH

